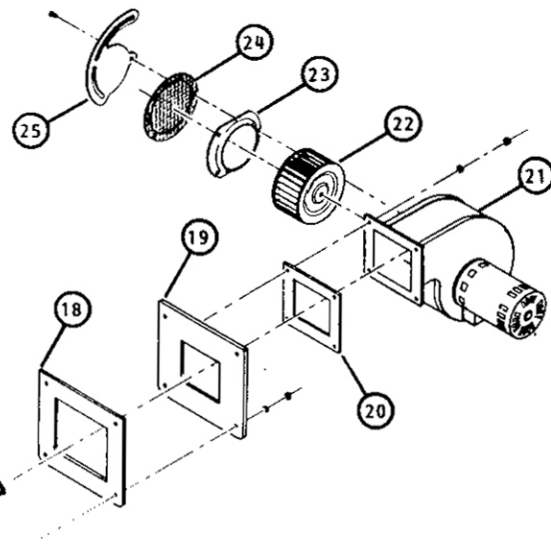
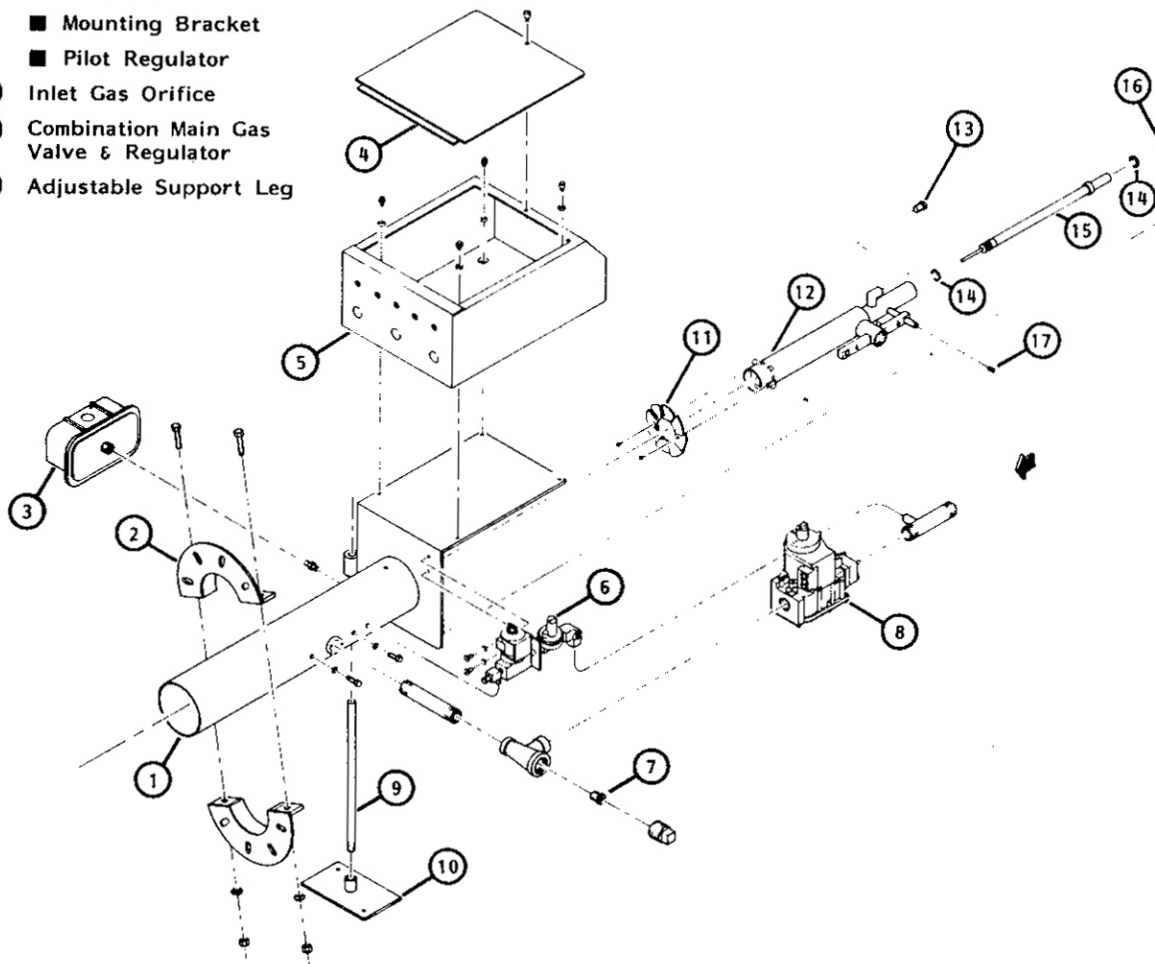


- ① Combustion Head & Panel Mounting Bracket Assembly
- ② Mounting Flange
- ③ Air Flow Switch
- ④ Control Panel Cover
- ⑤ Control Panel
- ⑥ Pilot Gas Train
 - Pilot Gas Valve
 - Mounting Bracket
 - Pilot Regulator
- ⑦ Inlet Gas Orifice
- ⑧ Combination Main Gas Valve & Regulator
- ⑨ Adjustable Support Leg

Typical Model G4.9 Burner



- ⑩ Adjustable Support Leg Base
- ⑪ Diffuser
- ⑫ Gas Manifold Assembly
- ⑬ Pilot Air Pickup Tube Plug (If Required)
- ⑭ Copper Gasket
- ⑮ Pilot Ignition Electrode/Sensor Assembly
- ⑯ Electrode Locking Nut
- ⑰ Pilot Gas Orifice
- ⑱ Gasket
- ⑲ Blower Mounting Plate
- ⑳ Gasket
- ㉑ Blower Assembly
- ㉒ Blower Wheel
- ㉓ Air Inlet Cone
- ㉔ Air Inlet Guard
- ㉕ Air Inlet Shutter