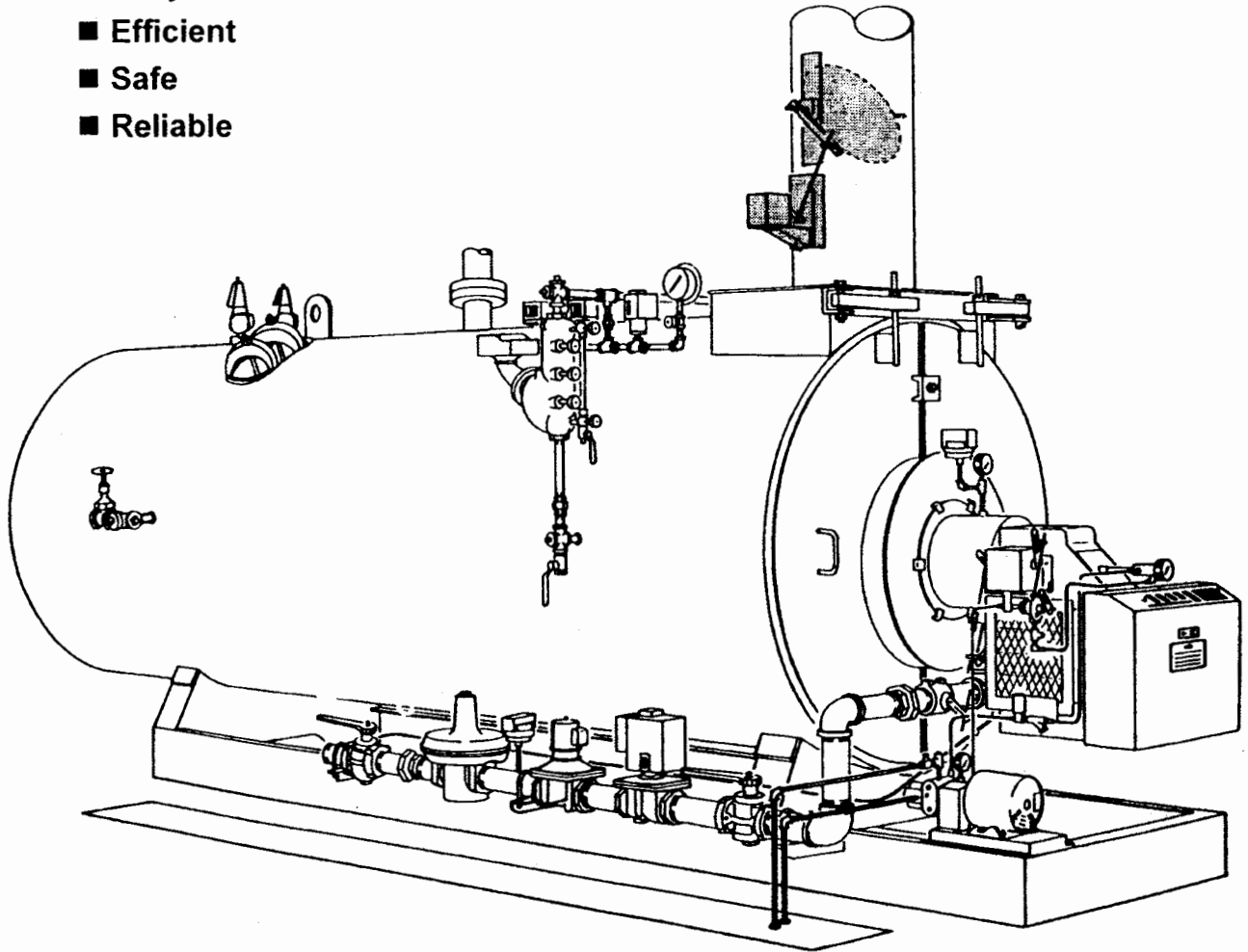


|          |           |             |        |
|----------|-----------|-------------|--------|
| <b>6</b> | <b>10</b> | <b>5.41</b> | Rev. 1 |
| ???      | Replaces  | 4-87        |        |

## MOTORIZED STACK DAMPER KIT ASSEMBLY

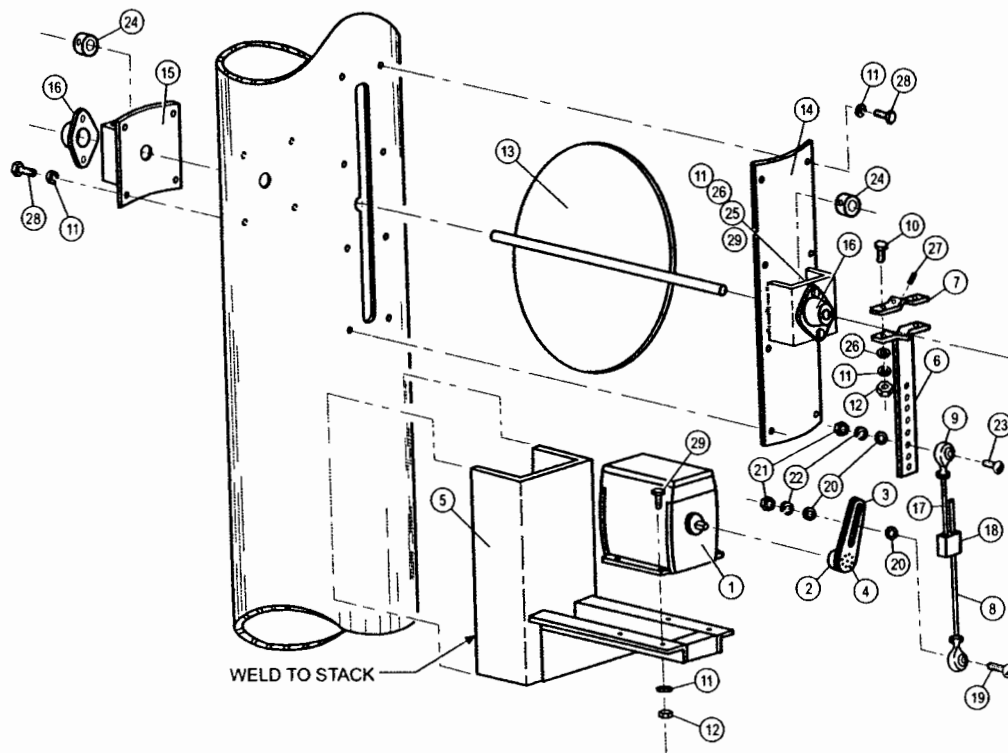
FOR FORCED, INDUCED, OR NATURAL DRAFT APPLICATIONS

- Easy to Install
- Efficient
- Safe
- Reliable



### FEATURES

- Two position actuator motor
- Sintered cast bronze hi-temperature bearings
- Full range of sizes from 10 to 42 inches
- Tempered damper blade and shaft
- Complete mounting and hook-up hardware



### LIST OF MATERIALS

| ITEM | QTY. | DESCRIPTION                               |
|------|------|---|
| 1    | 1    | MODULATING MOTOR-DAMPER ACTUATOR W/2 SW   |
| 2    | 1    | HUB MOD. MOTOR ACTUATOR STEEL PLATED      |
| 3    | 2    | ARM MOD. MOTOR ACTUATOR                   |
| 4    | 4    | SCREW HEX HD. 10-32 X 5/8" LG.            |
| 5    | 1    | BRACKET MODULATING MOTOR MOUNTING         |
| 6    | 1    | ARM ACTUATOR                              |
| 7    | 1    | CLAMP ACTUATOR ARM                        |
| 8    | 1    | ROD LINKAGE 5/16 DIA. X 30" LG.           |
| 9    | 2    | SWIVEL ROD END 5/16                       |
| 10   | 2    | SCREW HEX HD. 1/4-20 X 1-1/4 LG. PLATED   |
| 11   | 30   | WASHER LOCK 1/4" HELICAL MED.             |
| 12   | 6    | NUT HEX 1/4-20 PLATED                     |
| 13   | 1    | DAMPER OVAL STACK 10 GA. W/1.00 SHAFT     |
| 14   | 1    | BEARING PLATE DAMPER SUPPORT              |
| 15   | 1    | BEARING PLATE REAR DAMPER SUPPORT         |
| 16   | 2    | BEARING SINTERED 1.00 BRONZE FLUSH MOUNT  |
| 17   | 1    | ROD LINKAGE 5/16 DIA. X 8" LG.            |
| 18   | 1    | BLOCK LINKAGE ADJ.                        |
| 19   | 1    | BOLT CARRIAGE 5/16-18 X 1-1/4 LG. PLATED  |
| 20   | 3    | WASHER FLAT 5/16 PLATED                   |
| 21   | 2    | NUT HEX 5/16-18 PLATED                    |
| 22   | 2    | WASHER SPLIT LOCK 5/16 PLATED             |
| 23   | 1    | SCREW RD. HD. SLOTTED 5/16-18 X 1-1/2 LG. |
| 24   | 2    | COLLARS 1.00 BORE DAMPER RETAINERS        |
| 25   | 4    | NUT HEX BRASS 1/4-20 F/MTG. BEARINGS      |
| 26   | 6    | WASHER FLAT 1/4"                          |
| 27   | 2    | SCREW SOC. HD. 1/4-20 X .25 LG.           |
| 28   | 20   | SCREW SELF-TAPPING 1/4-20                 |
| 29   | 8    | SCREW HEX HD. 1/4-20 X 1 LG. PLATED       |