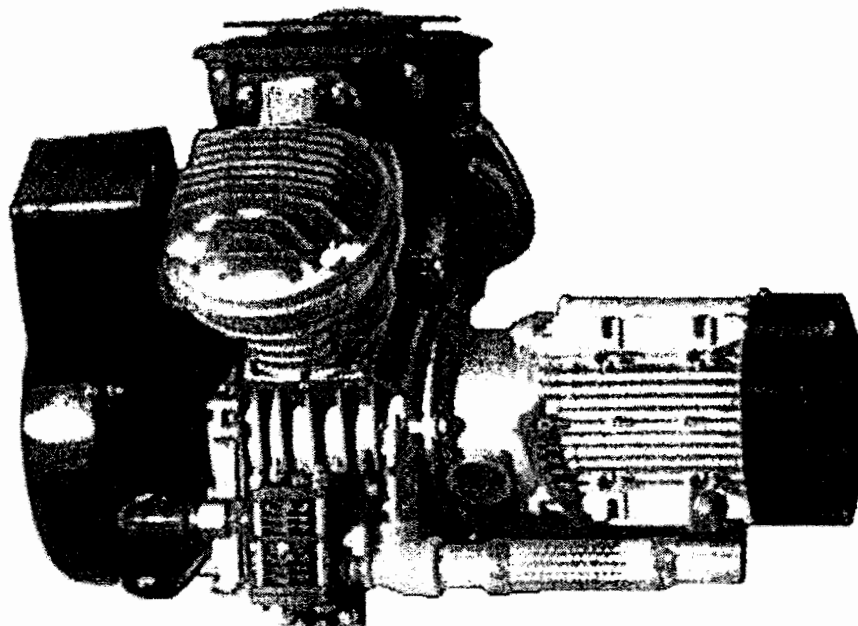


## BURNER AIR COMPRESSOR



AIR COOLED PISTON TYPE AIR COMPRESSOR

# MODELS LE15, LE22, LE40 and LE55

**NOTE**

All compressors are Underwriters' Laboratories listed.

**SPECIFICATION AND DIMENSIONS**

Model No.	Piston Displ. CFM	SCFM @ 30 PSIG	Compressor		
			HP	RPM	Ship Wt.
LE 15	17.0	11.5	2	1725	170
LE 22	21.0	15.0	3	1725	170
LE 40	38.0	26.0	5	1725	210
LE 55	48.0	35.0	7.5	1725	215

**NOTE**

Dimensions and specifications are subject to change without notice. A specific installation print will be furnished on request.

